

GNAMP Combine-Amplifier

GNAMP

The GNAMP is part of the CHAMELEON product portfolio. The GNAMP allows you to combine and amplify up to 8 RF inputs.

The CHAMELEON product line addresses technology changes and increased quality requirements without large investments for hardware and infrastructure.

Features

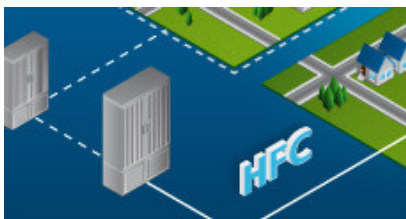
- HEADEND COMBINE-AMPLIFIER
- REDUNDANT & HOT SWAPPABLE POWER SUPPLIES
- MANAGEMENT VIA WEB INTERFACE
- ADJUSTABLE GAIN AND INPUT ATTENUATOR VIA WEB GUI
- COMBINE AND AMPLIFY UP TO 8 RF INPUTS WITH THE BEST POSSIBLE SIGNAL QUALITY
- MONITORING VIA SNMP

High Quality Combine-Amplifier

GNAMP is the ideal combine-amplifier for a headend with several CHAMELEONS.



Solutions with GNAMP



HFC

From the Headend to the wall-outlet: everything for the cable network.



HOUSING INDUSTRY

Headends for housing complexes, hotels and hospitals.



CHANNEL PROCESSING

Headends for residential, regional and national networks.

Technical Information

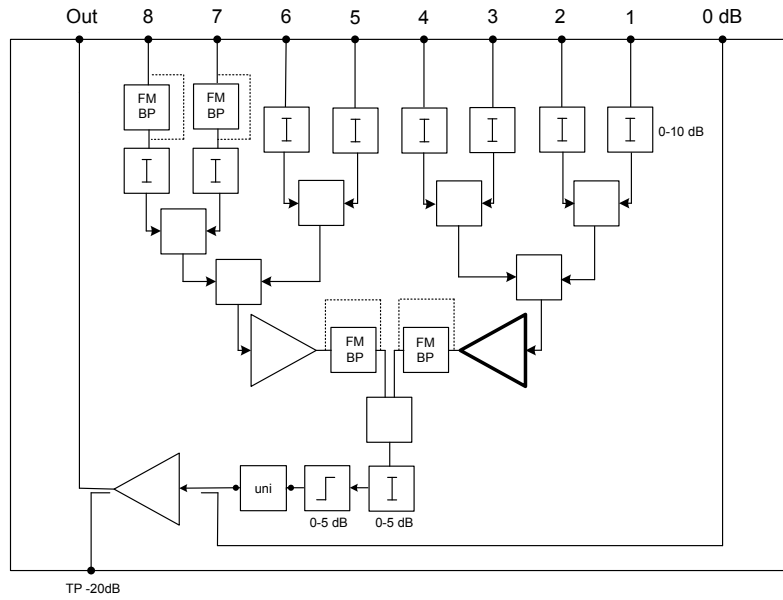
Technical Data	
Frequency range	47- 1006 MHz
Analog TV inputs	Input Nr. 1 - 4
QAM / FM inputs	Input Nr. 5 - 8
Impedance	75 Ω
Gain	8 dB ($\pm 0,5$ dB)
Output Level	98 dB μ V (CENELEC flat)
CSO	> 70 dB
CTB	> 70 dB
CNR	> 69 dB @ Input level 90 dB μ V
Input Attenuator	0 .. 10 dB (0,5 dB step)
Interstage Attenuator	0 .. 5 dB (0,5 dB step)
Interstage Slope	0 .. 5 dB (0,5 dB step)
Input Isolation	≥ 25 dB (-1 dB/ Oct.)
FM Filter Input (switchable)	Input Nr. 7, 8
FM Filter Interstage (switchable)	Input Nr. 1-4; 5-8
RF- Test Point	-20 dB
Loop Through Input	0 dB

Management	
Ethernet Interface	RJ45 connector 100 MB/s Fast Ethernet
Ethernet Protocol	HTTP (Web Interface) SNMP (Remote Management) Telnet (ASCII Commands)
Monitoring Parameter	Power Supply Voltage 1/2 Power Supply Voltage 1/2 RF Output Level
Settings	Input Attenuator FM Filter on/off Interstage Attenuator Interstage Slope

General Data	
Dimensions	425 (19") x 43 (1HE) x 250 mm
Power Supply	Redundancy Hot Pluggable Current/Voltage controlled
EMC	EN50083-2
Power Consumption	≤ 11 W
Operating temperature range	- 20 °C to +55 °C
Nominal temperature range	+0 °C to +40 °C

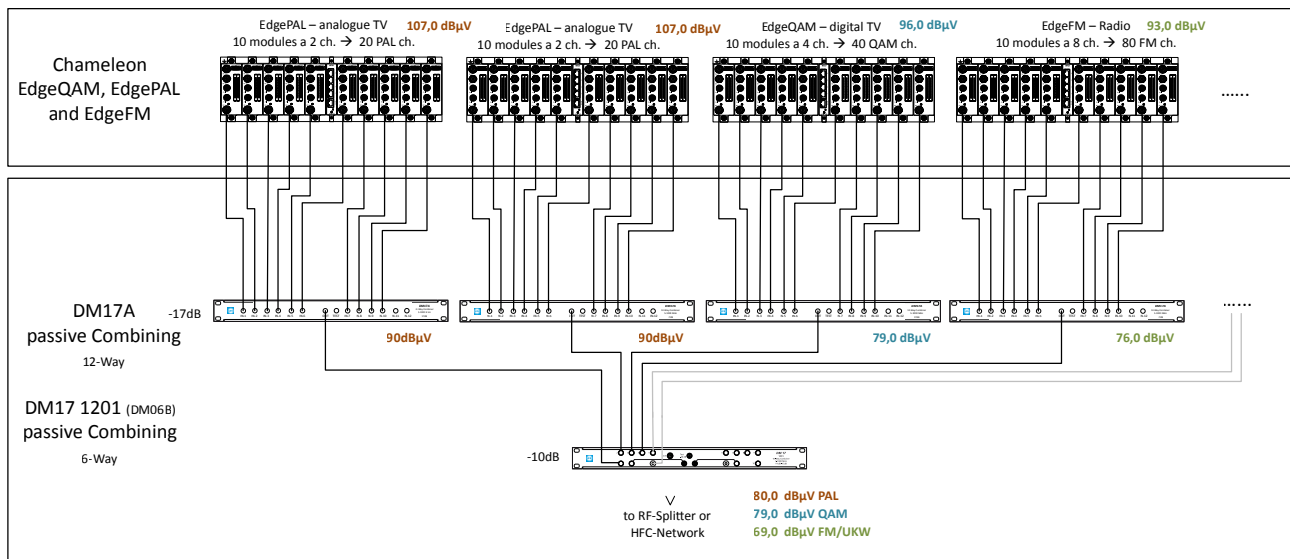
Connectors	
Input	8 x F-connector
Output	1 x F-connector
Test Point	1 x F-connector
LT- Input (0 dB)	1 x F-connector
Management	RJ45
Indicators	5 x LED (Amp, Temp/Fan, PS1, PS2, Power)

Block Diagram



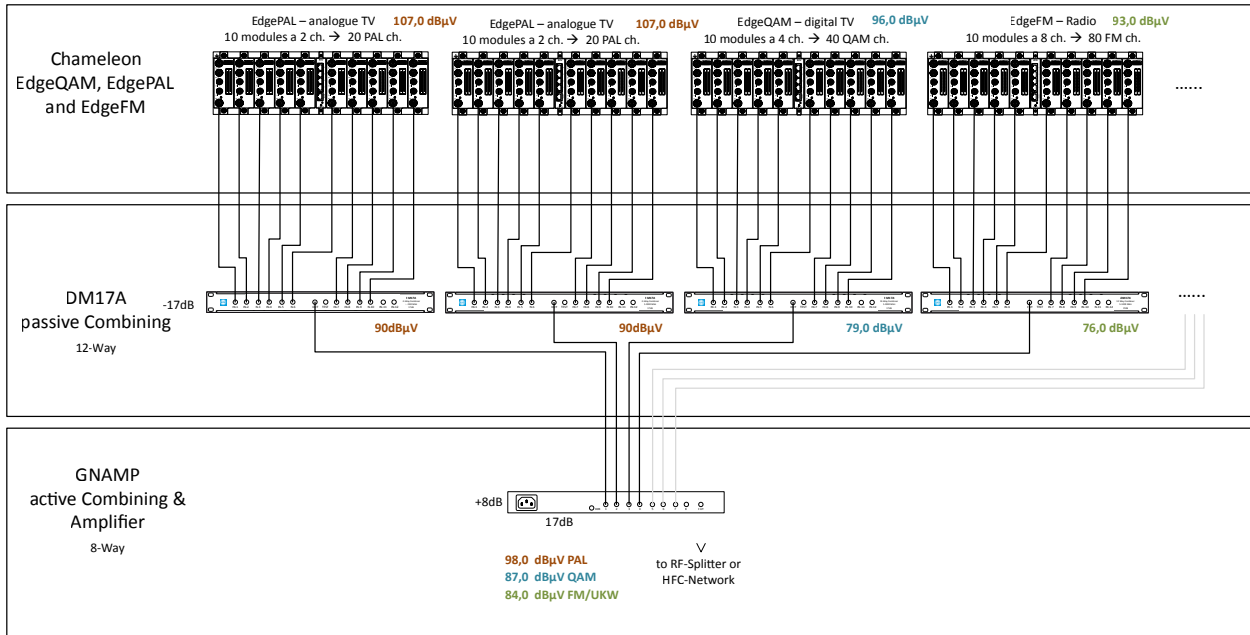
Application Notes - without GNAMP

Passive combining for CHAMELEON Headends



Application Notes - with GNAMP

Combination with active and passive combining for CHAMELEON headends



Technical modifications reserved. WISI cannot be held liable for any printing error. 084 438 f / 02. 14

Related Hardware



CHAMELEON GN40 and GN50

19 inch subracks fitting up to 10 Chameleon modules

GN50: 3 HU subrack with embedded GigE switch, embedded fans and PSU, and redundant PSU as option

GN40: 4 HU subrack including PSU and fan unit.

For more information about GN40 and GN50, please contact WISI sales, or visit our web site www.wisi.de.

Accessories Channel Processing

DM17A: 12-Way Combiner

DM17 1201: 2x6-Way Combiner

DM17 1001: 2x5-Way Combiner

For more information about splitters and combiners, please contact WISI sales, or visit our web site www.wisi.de.



WISI Communications GmbH & Co. KG
P.O. Box 1220
75219 Niefern-Oeschelbronn, Germany

Phone: +49 72 33-66-2 80
Fax: +49 72 33-66-3 50
E-mail: export@wisi.de

